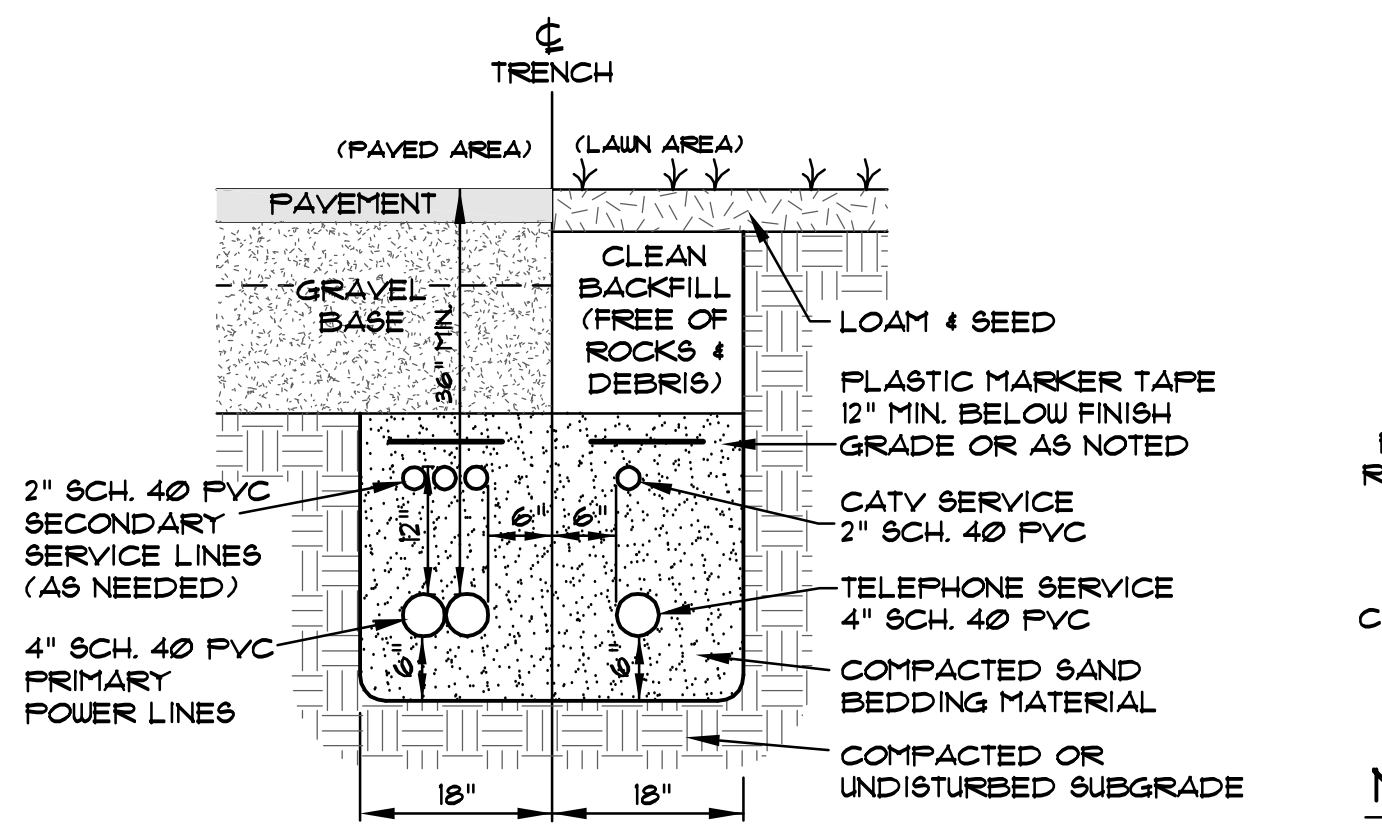
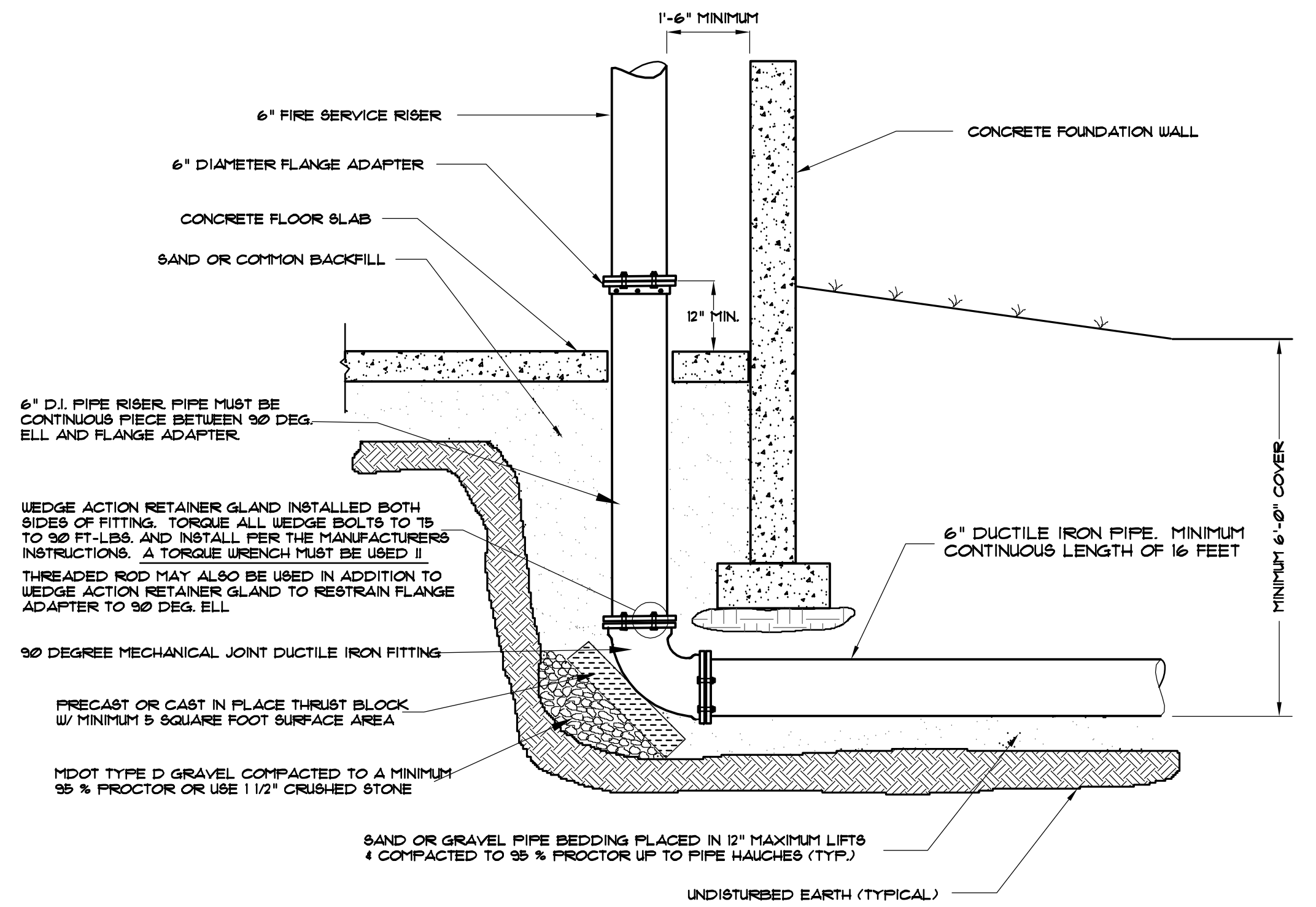


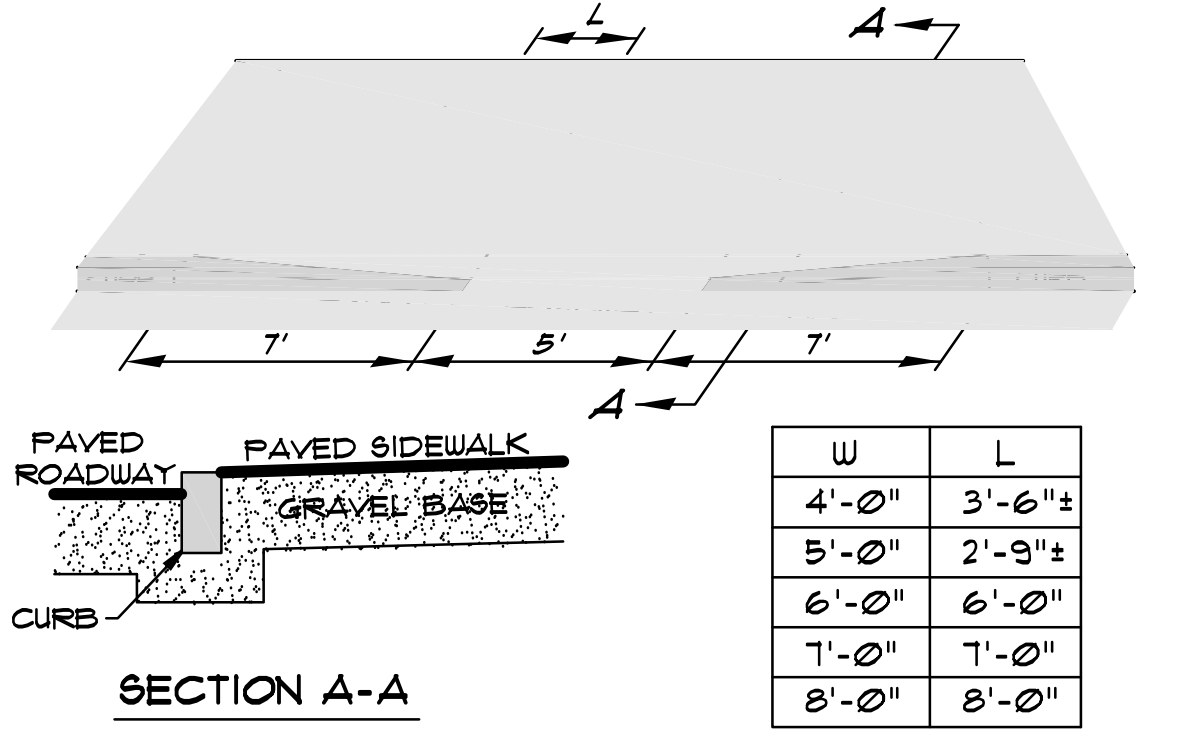
TYPICAL WATER TRENCH DETAIL
AUGUSTA WATER DISTRICT
NOT TO SCALE



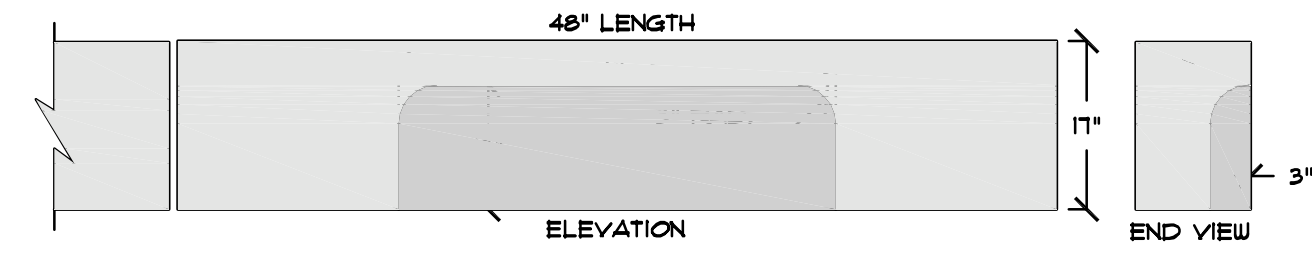
UNDERGROUND UTILITY TRENCH
NOT TO SCALE



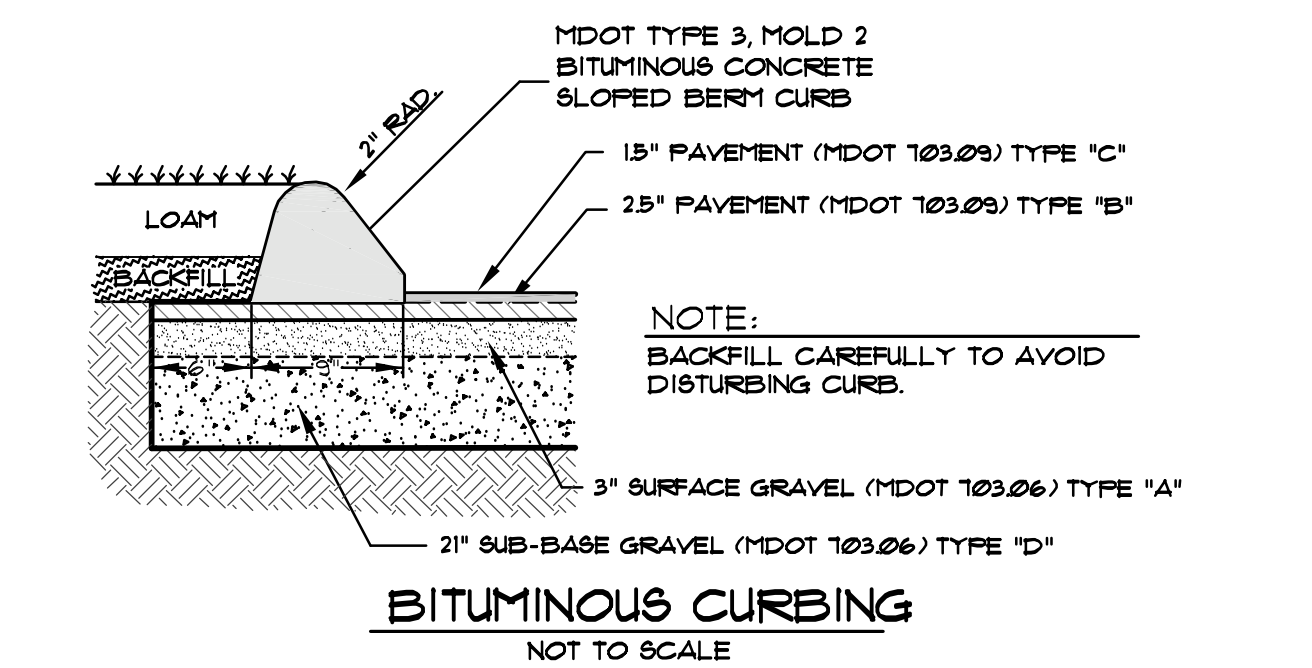
**TYPICAL 6\"/>AUGUSTA WATER DISTRICT
NOT TO SCALE**



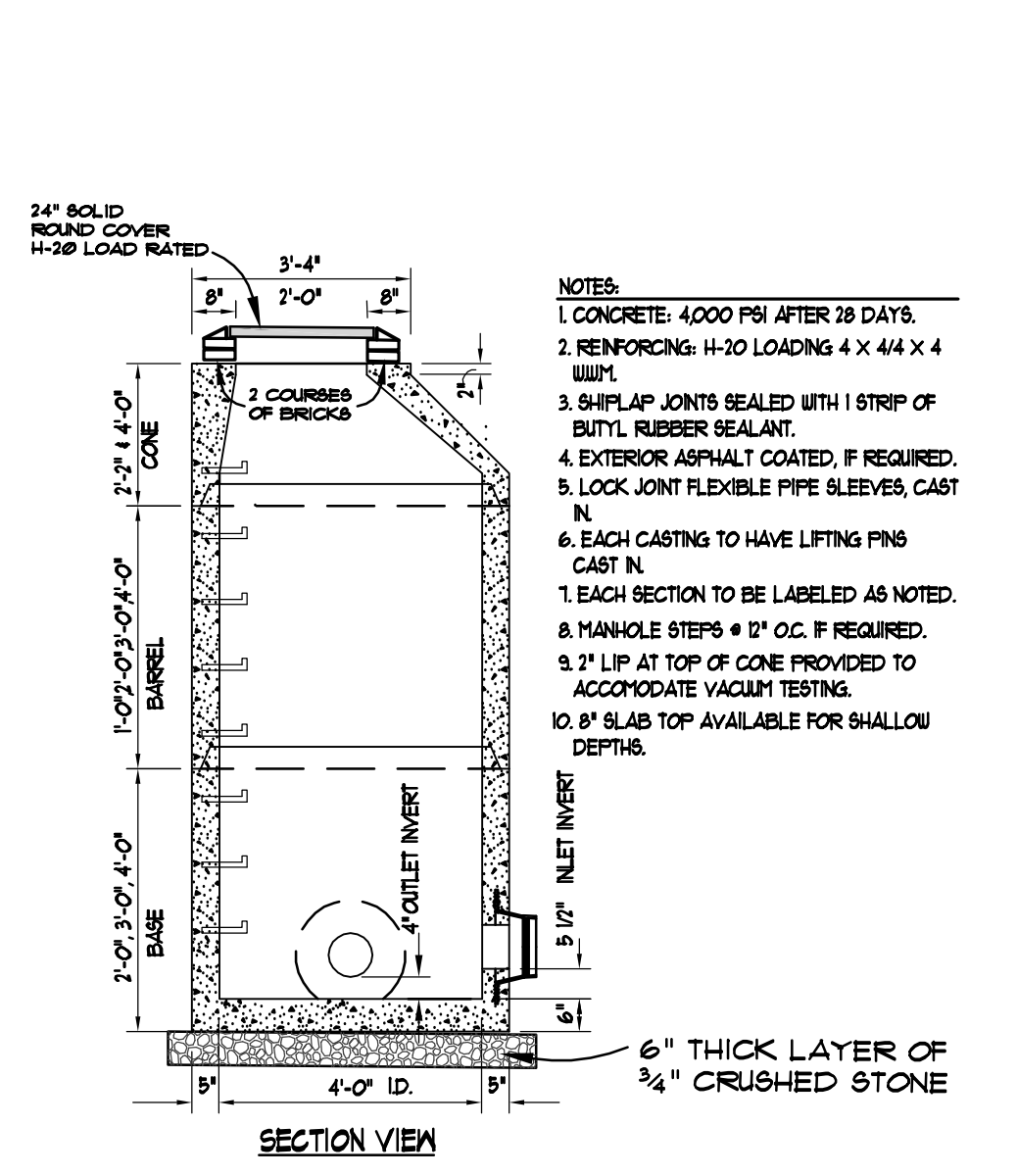
SIDEWALK TIPDOWN DETAIL
NOT TO SCALE



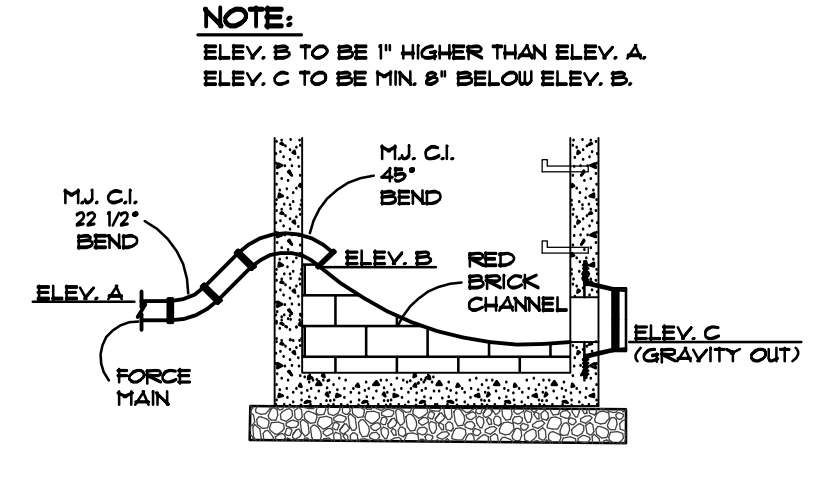
CONCRETE INLET CURB
NOT TO SCALE



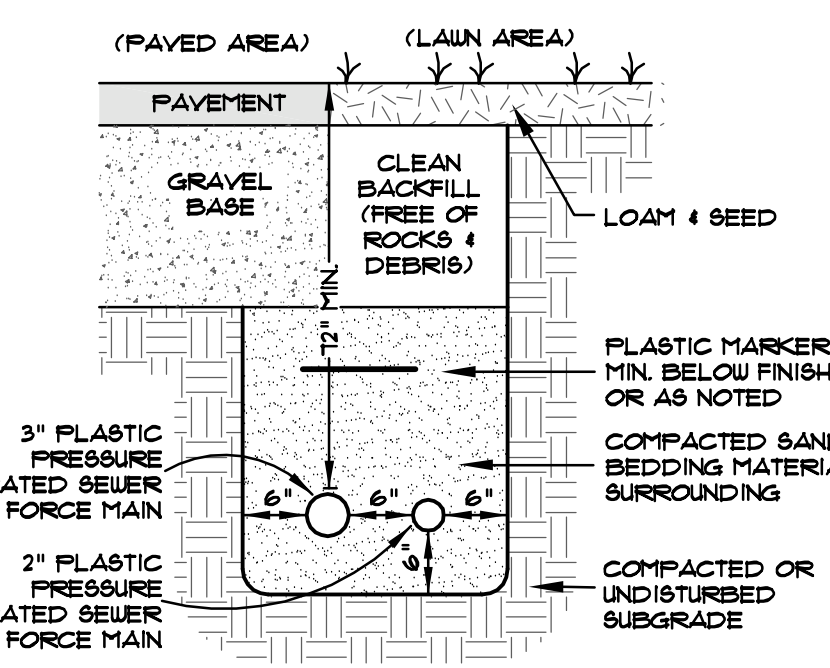
BITUMINOUS CURBING
NOT TO SCALE



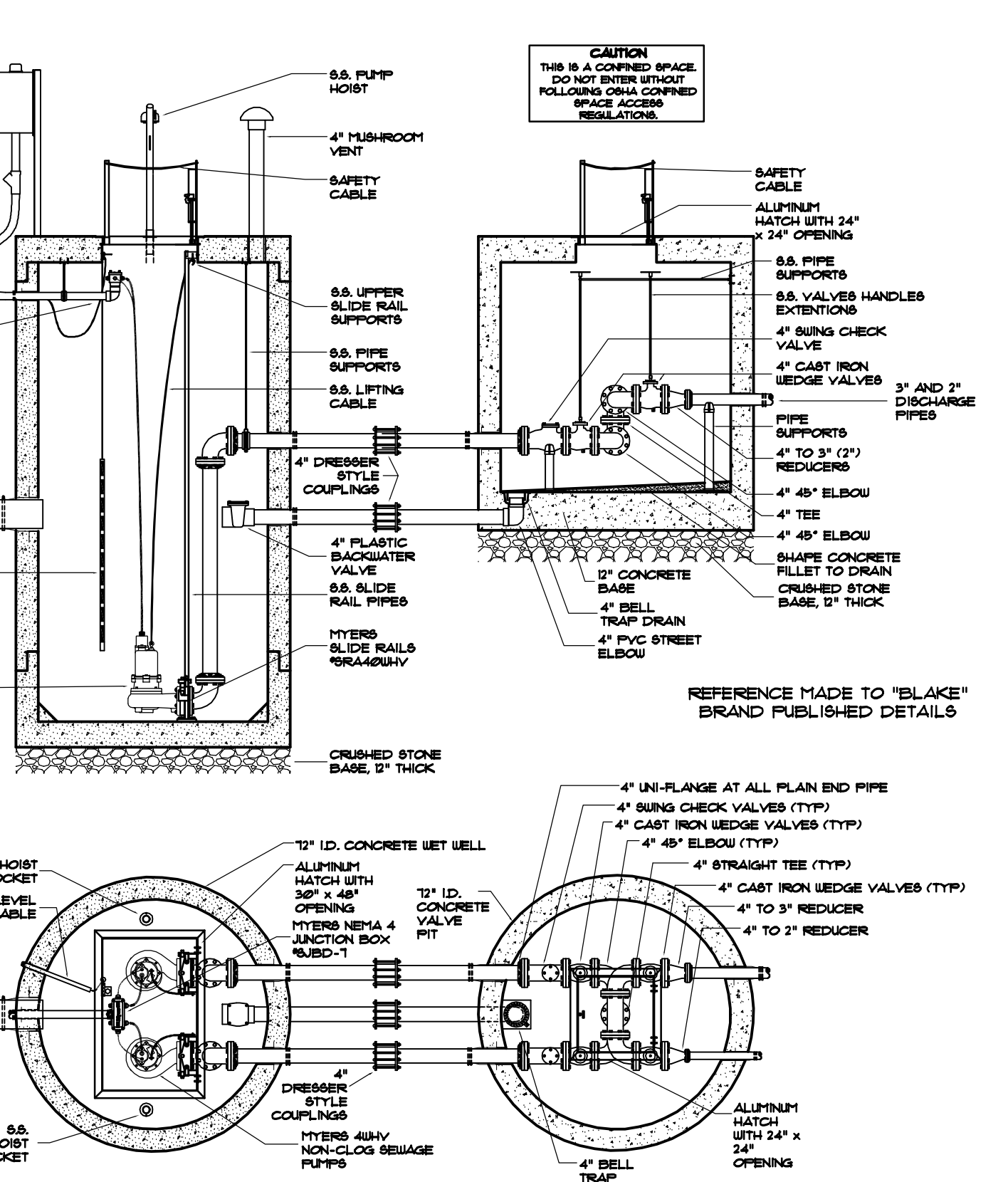
PRECAST CONCRETE SANITARY MANHOLE
NOT TO SCALE



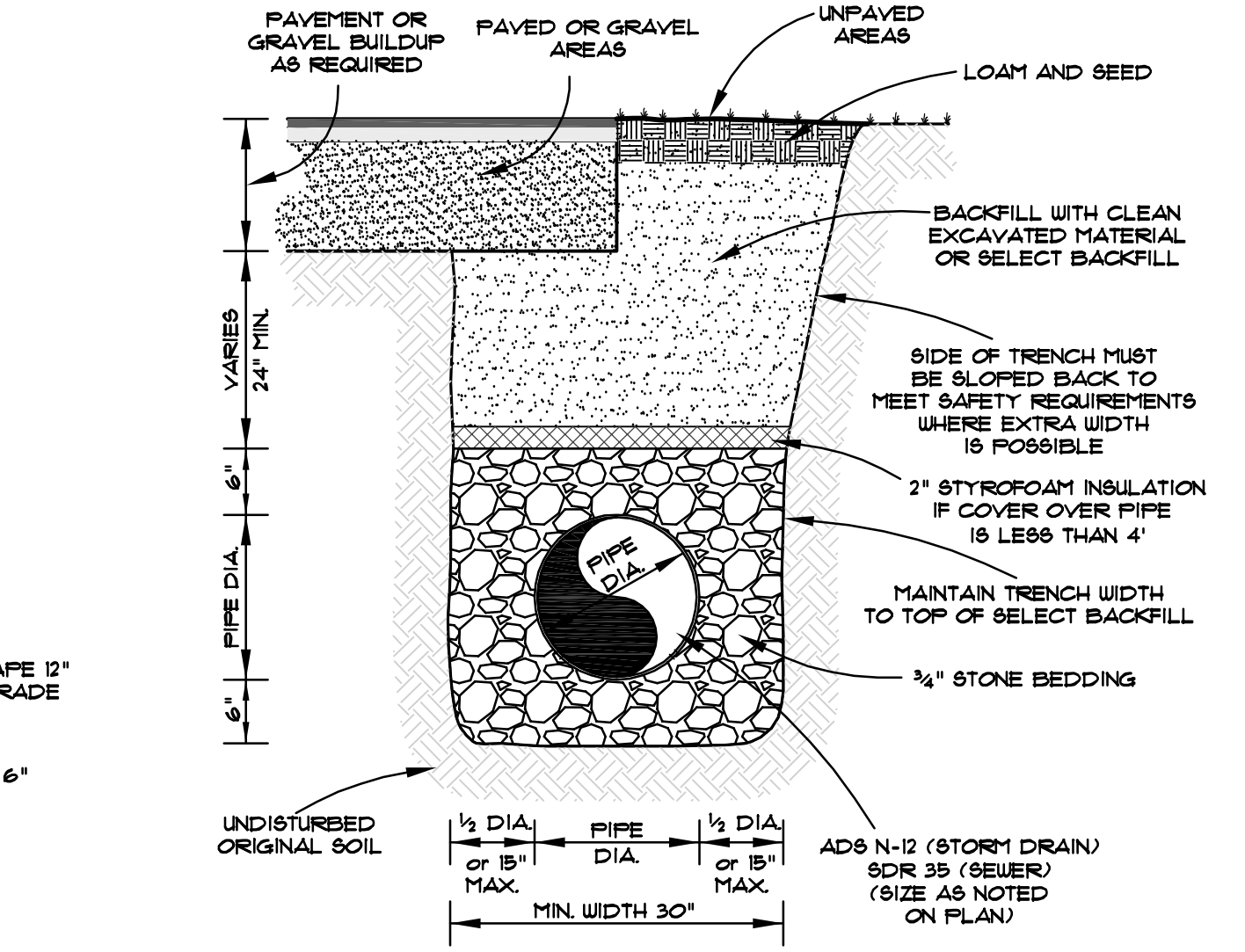
FORCE MAIN TERMINUS
NOT TO SCALE



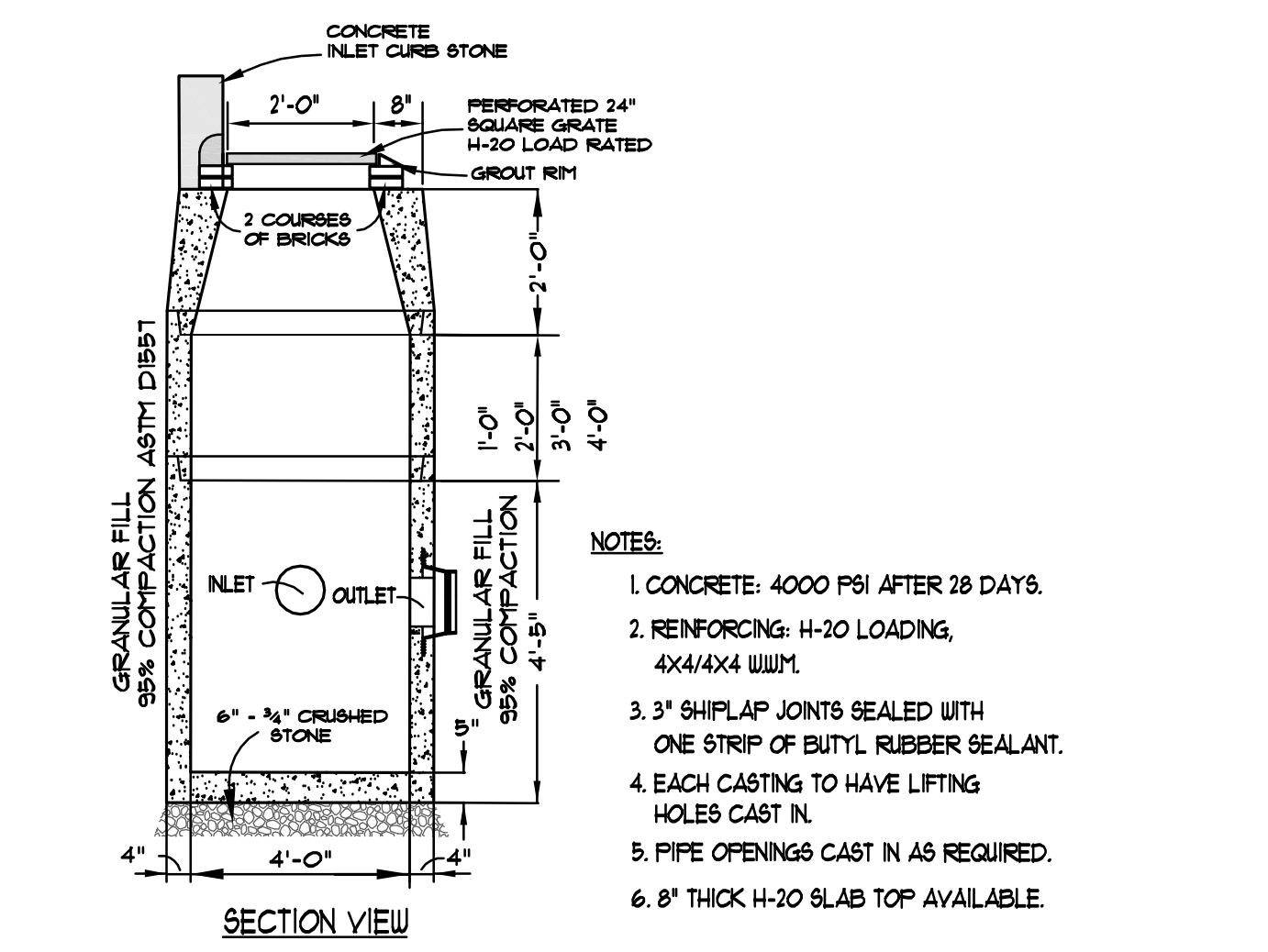
FORCE MAIN SEWER TRENCH
NOT TO SCALE



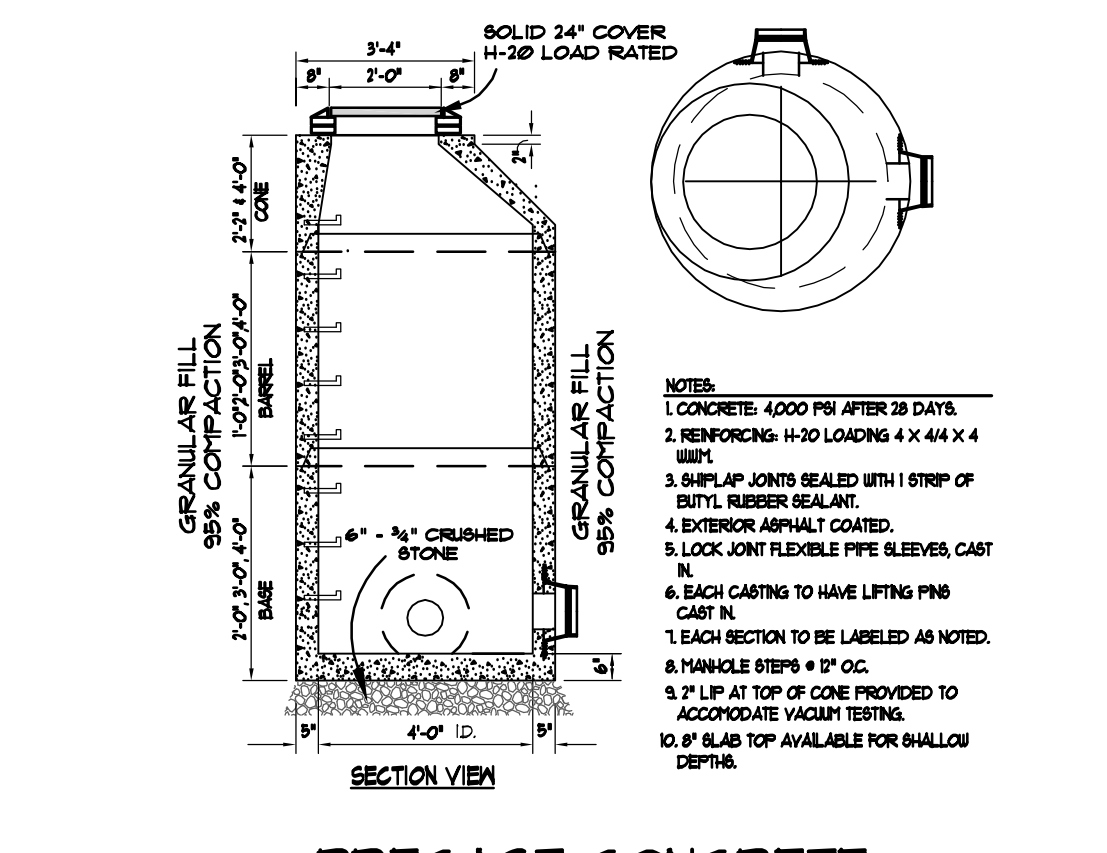
DUPLEX 4Mv NON-CLOG SEWAGE PUMP STATION WITH SEPARATE VALVE PIT
NOT TO SCALE



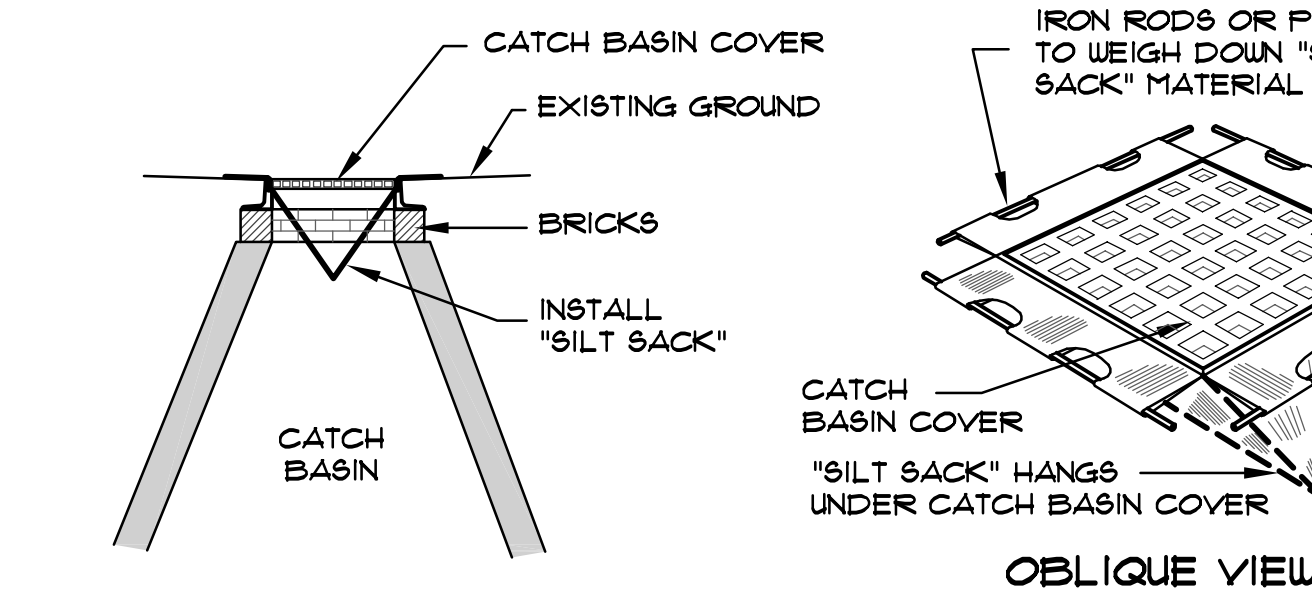
STORM DRAIN / SEWER TRENCH DETAIL
NOT TO SCALE



PRECAST CONCRETE CATCH BASIN DETAIL
NOT TO SCALE



PRECAST CONCRETE STORM DRAIN MANHOLE
NOT TO SCALE



SILT SACK DETAIL
NOT TO SCALE

PROGRESS PRINT
03/10/06
FOR APPROVALS ONLY

REV.# 3 05/10/06 UPDATE PL, LOTS, ROW, EASE PER KF. 9/13/05
REV.# 2 10/18/05 STRIPING, UTILS, ETC.
REV.# 1 9/16/05 PER D.E.P. REVIEW

S.J.R. ENGINEERING
21 MAYFLOWER ROAD
AUGUSTA, MAINE
TEL: (207) 622-1676

CONSTRUCTION DETAILS

CENTRAL MAINE COMMERCE CENTER
CIVIC CENTER DRIVE - AUGUSTA, MAINE
KENNEBEC COUNTY

SCALE: AS SHOWN
DATE: JUNE, 2005

DRAWN BY: BOMAC
CHECKED BY: SJR

PROJECT: CMCSP2
DRAWING: # 12